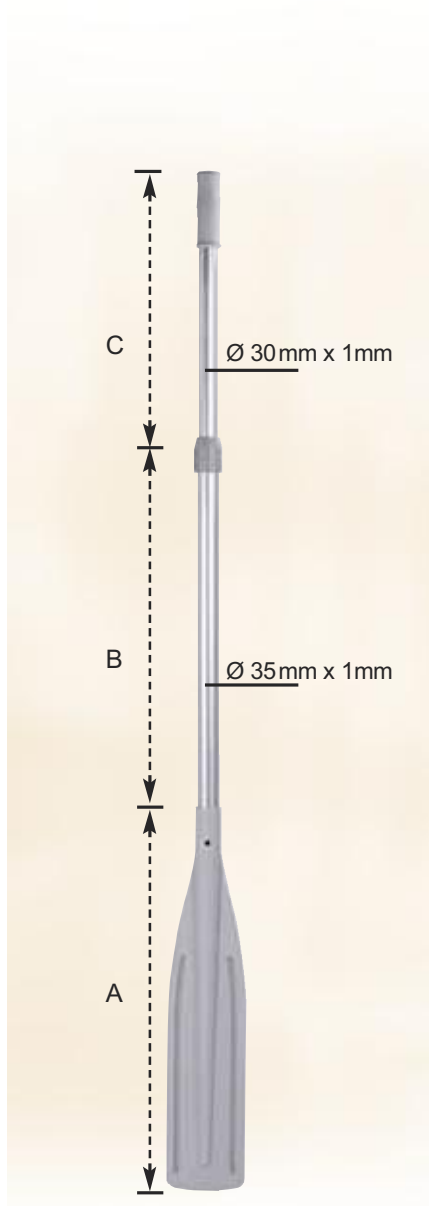


**Remi nautici telescopici in alluminio**  
*Aluminium oars telescopic*



**art. TSP 110/155**

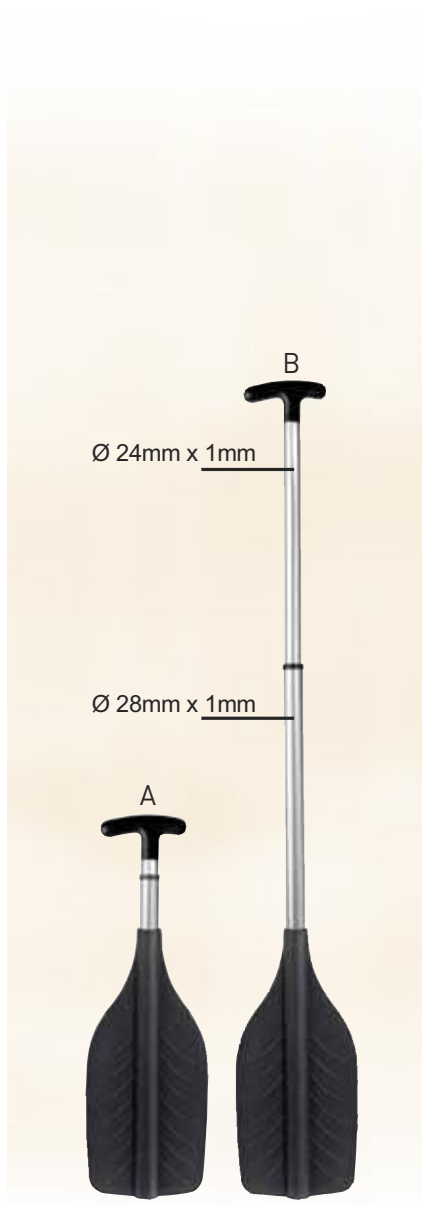
EDP 6293100 nero/black

6293101 grigio/grey

A + B + C = 158 cm

A + B = 118 cm

Smontato  
Disassembled = 64 cm



**art. TSP 50/120**

EDP 6293103 nero/black

6293104 grigio/grey

A = 50 cm

B = 120 cm



**art. N100**

EDP 6281100 nero/black

Ø 25/30 x 1mm

120/180 cm

